

CITY OF THE COLONY, TEXAS
ORDINANCE NO. 2021 - 2424

2018 INTERNATIONAL SWIMMING POOL AND SPA CODE
WITH LOCAL AMENDMENTS

AN ORDINANCE OF THE CITY COUNCIL OF THE CITY OF THE COLONY, TEXAS, AMENDING CHAPTER 6, ARTICLE I OF THE CODE OF ORDINANCES OF THE CITY OF THE COLONY, TEXAS, BY RENUMBERING SECTION 6-8, ENTITLED "PUNISHMENT FOR VIOLATION OF CODES" AS SECTION 6-17, ENTITLED "PUNISHMENT FOR VIOLATION OF CODES"; ADOPTING A NEW SECTION 6-8, ENTITLED "INTERNATIONAL SWIMMING POOL AND SPA CODE ADOPTED" BY ADOPTING THE 2018 EDITION OF THE *INTERNATIONAL SWIMMING POOL AND SPA CODE*, AND LOCAL AMENDMENTS TO THE *INTERNATIONAL SWIMMING POOL AND SPA CODE*; PROVIDING A SEVERABILITY CLAUSE; PROVIDING A REPEALER CLAUSE; PROVIDING A PENALTY CLAUSE; AND PROVIDING FOR AN EFFECTIVE DATE.

WHEREAS, the City Council of the City of The Colony, Texas, is of the opinion that the 2018 Edition of the *International Swimming Pool and Spa Code*, along with local amendments hereto, should be adopted as the Swimming Pool and Spa Code for the City of The Colony.

NOW, THEREFORE, BE IT ORDAINED BY THE CITY COUNCIL OF THE CITY OF THE COLONY, TEXAS:

SECTION 1. That the findings set forth above are incorporated into the body of this Ordinance as if fully set forth herein.

SECTION 2. That the Code of Ordinances of the City of The Colony, Texas, be, and the same is, hereby amended by amending Chapter 6, Article I, by renumbering current Section 6-8, entitled "Punishment for violation of codes" as Section 6-17, entitled "Punishment for violation of codes."

SECTION 3. That the Code of Ordinances of the City of The Colony, Texas, be, and the same is, hereby amended by amending Chapter 6, Article I, by adopting a new Section 6-8, entitled "International Swimming Pool and Spa Code Adopted" which shall read as follows:

"Sec. 6-8. International Swimming Pool and Spa Code Adopted.

- (a) *Adoption.* The *International Swimming Pool and Spa Code* with Appendices A through D, 2018 edition, is hereby adopted and designated as the Swimming Pool and Spa Code for the City of The Colony, Texas. A copy of the 2018 Edition of the *International Swimming Pool and Spa Code* is on file in the office of the City Secretary.

- (b) *Local Amendments.* The following provisions are local amendments to the 2018 Edition of the *International Swimming Pool and Spa Code*. Each provision is a substitute for the identically numbered provision contained in the 2018 Edition of the *International Swimming Pool and Spa Code* or is a provision added to the 2018 Edition of the *International Swimming Pool and Spa Code*.

Section 101.1 Title; change to read as follows:

These regulations shall be known as the Swimming Pool and Spa Code of the city of The Colony, herein referred to as “this code.”

Section 102.9; Change to read as follows:

Section 102.9 Other laws. The provisions of this code shall not be deemed to nullify any provisions of local, state or federal law, to include but not limited to;

1. Texas Department of State Health Services (TDSHS); *Standards for Public Pools and Spas*; §285.181 through §285.208, (TDSHS rules do not apply to pools serving one- and two family dwellings or townhouses).
2. *Texas Department of Licensing and Regulation (TDLR); 2012 Texas Accessibility Standards (TAS)*, TAS provide the scoping and technical requirements for accessibility for Swimming Pool, wading pools and spas and shall comply with *2012 TAS, Section 242*. (TAS rules do not apply to pools serving one- and two family dwellings or townhouses).

Exception: Elements regulated under Texas Department of Licensing and Regulation (TDLR) and built in accordance with TDLR approved plans, including any variances or waivers granted by the TDLR, shall be deemed to be in compliance with the requirements of this Chapter.

Section 103.1; Change to read as follows:

Section 103.1 Creation of enforcement agency. The department of Building Inspection is hereby created and the official in charge thereof shall be known as the *code official*.

Section 107.4; Delete entirely (covered by general provisions in Code of Ordinances):

107.5; Change to read as follows:

107.5 Stop work orders. Upon notice from the code official, work on any system that is being done contrary to the provisions of this code or in a dangerous or unsafe manner shall immediately cease. Such notice shall be in writing and shall be given to the owner of the property, or to the owner’s agent, or to the person doing the work. The notice shall state the conditions under which work is authorized to resume. Where an emergency exists, the code official shall not be required

to give a written notice prior to stopping the work. Any person who shall continue any work in or about the structure after having been served with a stop work order, except such work as that person is directed to perform to remove a violation or unsafe condition, shall be in violation of this code.

Section 202; DEFINITIONS; insert definition; change to read as follows:

HEALTH OFFICIAL: The *Health Official* is the representative of the Health Department and shall regulate the operation of public pools. Routine inspections on pools and spas open to the public are conducted to document compliance with the standards set forth in State law.

Add subsection 305.2.7.1; to read as follows:

305.2.7.1 Chain link fencing prohibited. Chain link fencing is not permitted as a barrier in public pools built after January 1, 1994.

Section 305.6; Change to read as follows:

305.6 Natural barriers used in a one and two family dwelling or townhouse.

In the case where the pool or spa area abuts the edge of a lake or other natural body of water, public access is not permitted or allowed along the shoreline, and required barriers extend to and beyond the water's edge a minimum of eighteen (18) inches, a barrier is not required between the natural body of water shoreline and the pool or spa.

Section 310; Change to read as follows:

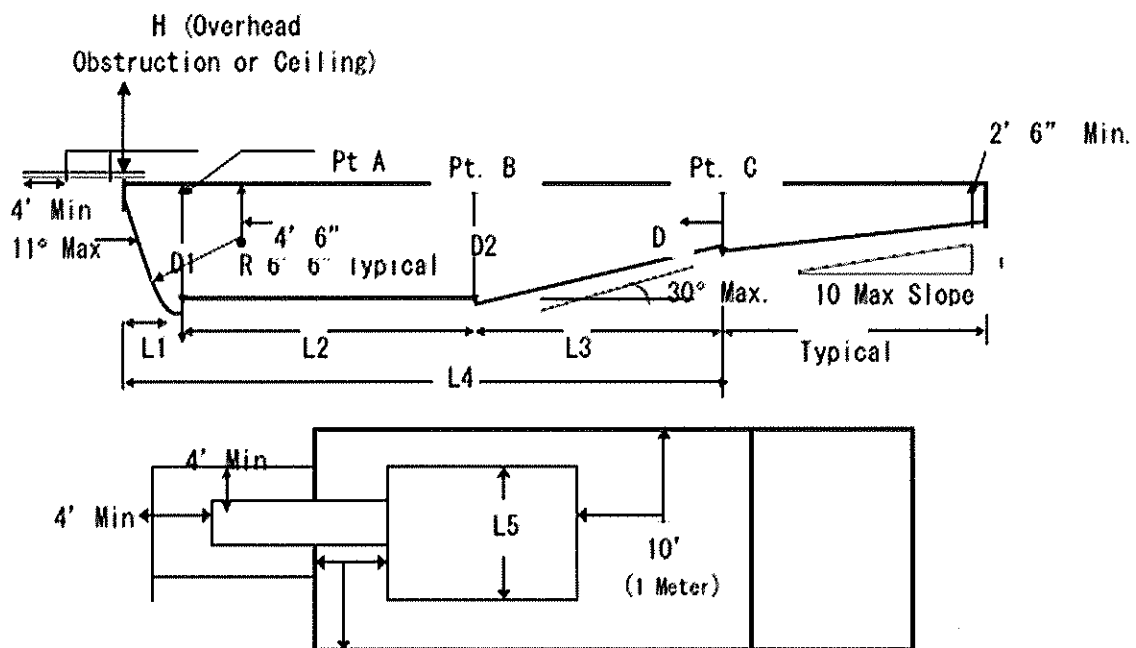
310.1 General. Suction entrapment avoidance for pools and spas shall be provided in accordance with APSP 7 or for public swimming pools in accordance with State of Texas Rules for Public Swimming Pools and Spas, Title 25 TAC Chapter 265 Subchapter L, Rule §265.190.

Section 402.12; Change to read as follows:

402.12 Water envelopes. The minimum diving water envelopes shall be in accordance with Texas department of State Health services, Administrative Code Title 25, Chapter 265, Section 186 (e) and Figure: 25 TAC 256.186 (e) (6). (Delete Table 402.12 and Figure 402.12)

ADD: Figure: 25 TAC §265.186 (e) (6)

Maximum Diving Board Height Over Water	¼ Meter	1 Meter	3 Meters
Max. Diving Board Length	12 ft.	16 ft.	16 ft.
Minimum Diving Board Overhang	2 ft. 6 in.	5 ft.	5 ft.
D1 Minimum	8 ft. 6 in.	11 ft. 2 in.	12 ft. 2 in.
D2 Minimum	9 ft.	10 ft. 10 in.	11 ft. 10 in.
D3 Minimum	4 ft.	6 ft.	6 ft.
L1 Minimum	4 ft.	5 ft.	5 ft.
L2 Minimum	12 ft.	16 ft. 5 in.	19 ft. 9 in.
L3 Minimum	14 ft. 10 in.	13 ft. 2 in.	13 ft. 11 in.
L4 Minimum	30 ft. 10 in.	34 ft. 7 in.	38 ft. 8 in.
L5 Minimum	8 ft.	10 ft.	13 ft.
H Minimum	16 ft.	16 ft.	16 ft.
From Plummet to Pool Wall at Side	9 ft.	10 ft.	11 ft. 6 in.
From Plummet to Adjacent Plummet	10 ft.	10 ft.	10 ft.



Section 402.13; Delete exception and change to read as follows:

402.12 Ladders for diving equipment. Ladders shall be provided with two grab rails or two handrails. There shall be a uniform distance between ladder treads, with a 7-inch (178 mm minimum) distance and 12 inch (305 mm) maximum distance. Supports, platforms, steps, and ladders for diving equipment shall be designed to carry the anticipated loads. Steps and ladders shall be of corrosion-resistant material, easily cleanable and with slip-resistant tread;

Section 411.2.1 & 411.2.2; Change to read as follows:

411.2.1 Tread dimensions and area. Treads shall have a minimum unobstructed horizontal depth (i.e., horizontal run) of 12 inches and a minimum width of 20 inches.

411.2.2 Risers. Risers for steps shall have a maximum uniform height of 10 inches, with the bottom riser height allowed to taper to zero.

Section 411.5.1 & 411.5.2; Change to read as follows:

411.5.1 Swimouts. Swimouts, located in either the deep or shallow area of a pool, shall comply with all of the following:

1. Unchanged
2. Unchanged
3. Unchanged
4. The leading edge shall be visibly set apart and provided with a horizontal solid or broken stripe at least 1 inch wide on the top surface along the front leading edge of each step. This stripe shall be plainly visible to persons on the pool deck. The stripe shall be a contrasting color to the background on which it is applied, and the color shall be permanent in nature and shall be a slip-resistant surface

411.5.2 Underwater seats and benches. Underwater seats and benches, whether used alone or in conjunction with pool stairs, shall comply with all of the following:

1. Unchanged
2. Unchanged
3. Unchanged
4. Unchanged
5. The leading edge shall be visually set apart and provided with a horizontal solid or broken stripe at least 1 inch wide on the top surface along the front leading edge of each step. This stripe shall be plainly visible to persons on the pool deck. The stripe shall be a contrasting color to the background on which it is applied, and the color shall be permanent in nature and shall be a slip-resistant surface.
6. Unchanged
7. Unchanged

Section 603.2; Change to read as follows:

603.2 Class A and B pools: Class A and B pools over 5 feet deep: the transition point of the pool from the shallow area to the deep area of the pool shall be visually set apart with a 4-inch minimum width row of floor tile, a painted line, or similar means using a color contrasting with the bottom; and a rope and float line shall be provided between 1 foot and 2 feet on the shallow side of the 5-foot depth along and parallel to this depth from one side of the pool to the other side. The floats

shall be spaced at not greater than 7-foot intervals; and the floats shall be secured so they will not slide or bunch up. The stretched float line shall be of sufficient size and strength to offer a good handhold and support loads normally imposed by users. If the owner or operator of the pool knows or should have known in the exercise of ordinary care that a rope or float is missing, broken, or defective, the problem shall be promptly remedied

Section 610.5.1; Change to read:

610.5.1 Uniform height of 10 inches. Except for the bottom riser, risers at the centerline shall have a maximum uniform height of 10 inches (254 mm). The bottom riser height shall be permitted to vary from the other risers.

Section 804 Diving Water Envelopes; Change to read as follows:

Section 804.1 General. The minimum diving water envelopes shall be in accordance with Table 804.1 and Figure 804.1, or the manufacturer's specifications, whichever is greater. Negative construction tolerances shall not be applied to the dimensions of the minimum diving water envelopes given in Table 804.1."

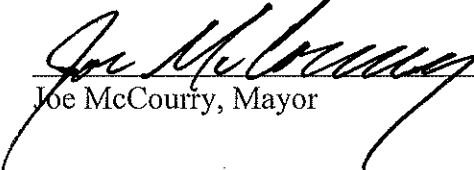
SECTION 4. If any section, article paragraph, sentence, clause, phrase or word in this Ordinance, or application thereto any persons or circumstances is held invalid or unconstitutional by a Court of competent jurisdiction, such holding shall not affect the validity of the remaining portions of this Ordinance; and the City Council hereby declares it would have passed such remaining portions of this Ordinance despite such invalidity, which remaining portions shall remain in full force and effect.

SECTION 5. That all provisions of the Ordinances of the City of The Colony, Texas, in conflict with the provisions of this Ordinance be, and the same are hereby amended, repealed, and all other provisions of the Ordinances of the City not in conflict with the provisions of this Ordinance shall remain in full force and effect.

SECTION 6. Any person, firm, or corporation violating any of the provisions of this Ordinance shall be deemed guilty of a misdemeanor and, upon conviction in the municipal court of the City of The Colony, Texas, shall be punished by a fine not to exceed the sum of Two Thousand Dollars (\$2,000.00) for each offense. Every day a violation occurs shall constitute a separate offense.


SECTION 7. This Ordinance shall become effective from and after its date of passage in accordance with law.

PASSED AND APPROVED BY THE CITY COUNCIL OF THE CITY OF THE COLONY, TEXAS, THIS 5TH day of JANUARY 2021.



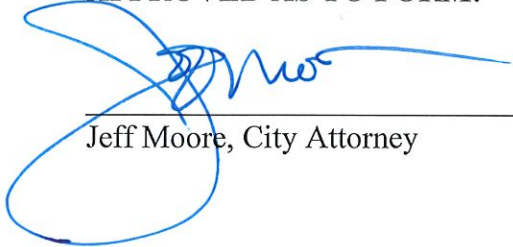
Joe McCourry, Mayor

ATTEST:



Tina Stewart, TRMC, CMC City Secretary

APPROVED AS TO FORM:



Jeff Moore, City Attorney

