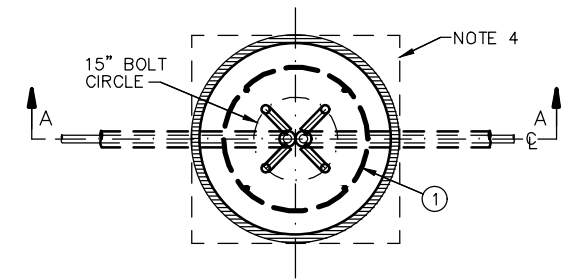


ONCOR ELECTRIC
STANDARD
LIGHT FIXTURE

N.T.S.

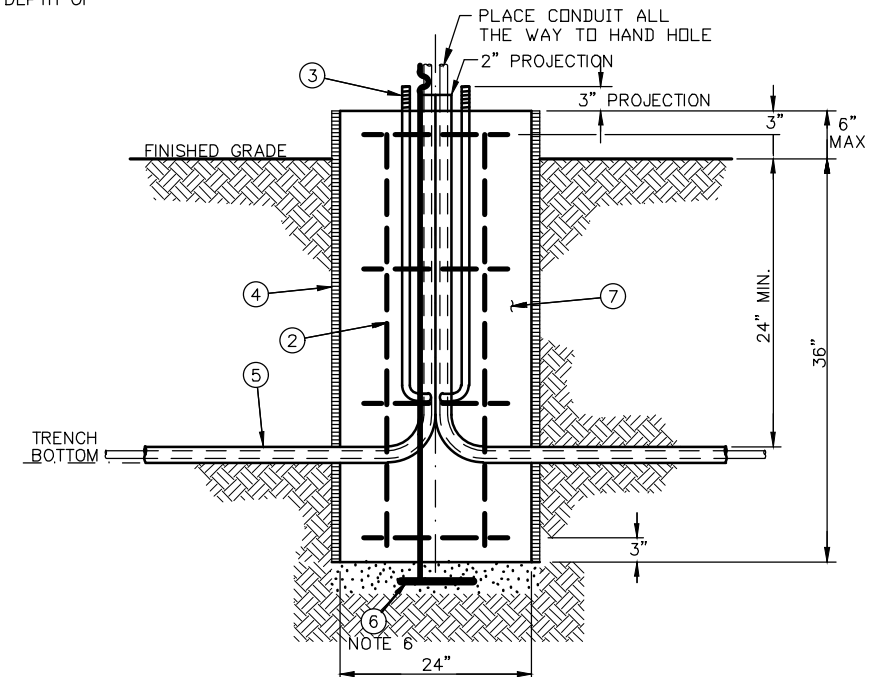
NOTES:

1. CONCRETE TO BE A MINIMUM 3000 PSI AT 28 DAYS. (5 SACK) MAXIMUM AGGREGATE 3/4-INCH. TOP OF FOUNDATION TO BE TROWELED TO A FLAT AND LEVEL SURFACE. AVOID EXCESSIVE TROWELING. CONCRETE TO SET A MINIMUM OF 72 HOURS BEFORE POLE INSTALLATION.
2. REBAR HOOPS ARE TIED BEGINNING 3-INCHES BELOW TOP OF CONCRETE FORM AND ARE REPEATED AT APPROXIMATE ONE FOOT INTERVALS TO BOTTOM OF FOUNDATION.
3. ANCHOR BOLTS TO BE SUPPLIED WITH POLE. USE TEMPLATE FURNISHED BY POLE MANUFACTURER FOR ALIGNING ANCHOR BOLTS.
4. CONCRETE FORM OF SONOTUBE TO EXTEND TO BOTTOM OF TRENCH OR AS NEEDED. FORMS FOR SQUARE BASE (EG. TEXAN POLE) POLE FOUNDATION SHOULD BE FABRICATED AS NECESSARY.
5. PROVIDE A 24" PIGTAIL FOR CONNECTION OF GROUND WIRE TO POLE.
6. A MINIMUM OF 12 FEET OF BARE #6 SD CU WIRE TO BE PLACED IN BOTTOM OF HOLE AND COVERED WITH 2-INCHES OF DIRT
7. IF SOIL HAS BEEN DISTUBED. EXTEND FOUNDATION BY DEPTH OF DISTURBED SOIL.



STREET LIGHT FOUNDATION
12' M.H. & 17' M.H. HISTORICAL/
DECORATIVE POLES
PLAN VIEW

N.T.S.



SECTION "A-A"
N.T.S.

DECORATIVE STREET LIGHT MATERIAL SELECTION TABLE

LAMP WATTAGE	LUMINAIRE	MULTIPLE BRACKET FOR MULTIPLE LUMINAIRES	TYPE POLE
55 WATT LED- RESIDENTIAL MINIMUM 150 WATT LED- MAJOR ARTERIAL MINIMUM	D = LANTERN	N = NONE	C = TEXAN 11 FT.

ITEM	QTY	DESCRIPTION
1	4	#3 REBAR, 18 IN. DIAMETER HOOP, 3 IN. OVERLAP
2	4	#5 REBAR, STRAIGHT, 36 IN. LONG
3	4	ANCHOR BOLT, GALVANIZED 3/4-INCH (SUPPLIED WITH POLE)
4	AS REQD.	CONCRETE FOUNDATION TUBE, 24 IN. DIAMETER
5	AS REQD.	CONDUIT, 2-INCH PVC OR PEC (NOT IN FOUNDATION CU)
6	2 LB	WIRE #6 COPPER SOLID, GROUND, POLE BUTT WIRE COIL
7	AS REQD.	CONCRETE

CERTIFICATION:

THIS CITY OF THE COLONY STANDARD DETAIL SHEET IS AUTHORIZED FOR USE IN THIS PROJECT BY THE ENGINEER WHOSE SEAL APPEARS ON THIS SHEET. THIS ENGINEER IS ALSO CERTIFYING THAT THE CONTENT OF THE DETAILS AND NOTES ON THIS SHEET HAVE NOT BEEN ALTERED FROM THAT RECEIVED FROM THE CITY OF THE COLONY.

STREET LIGHT STANDARD DETAILS

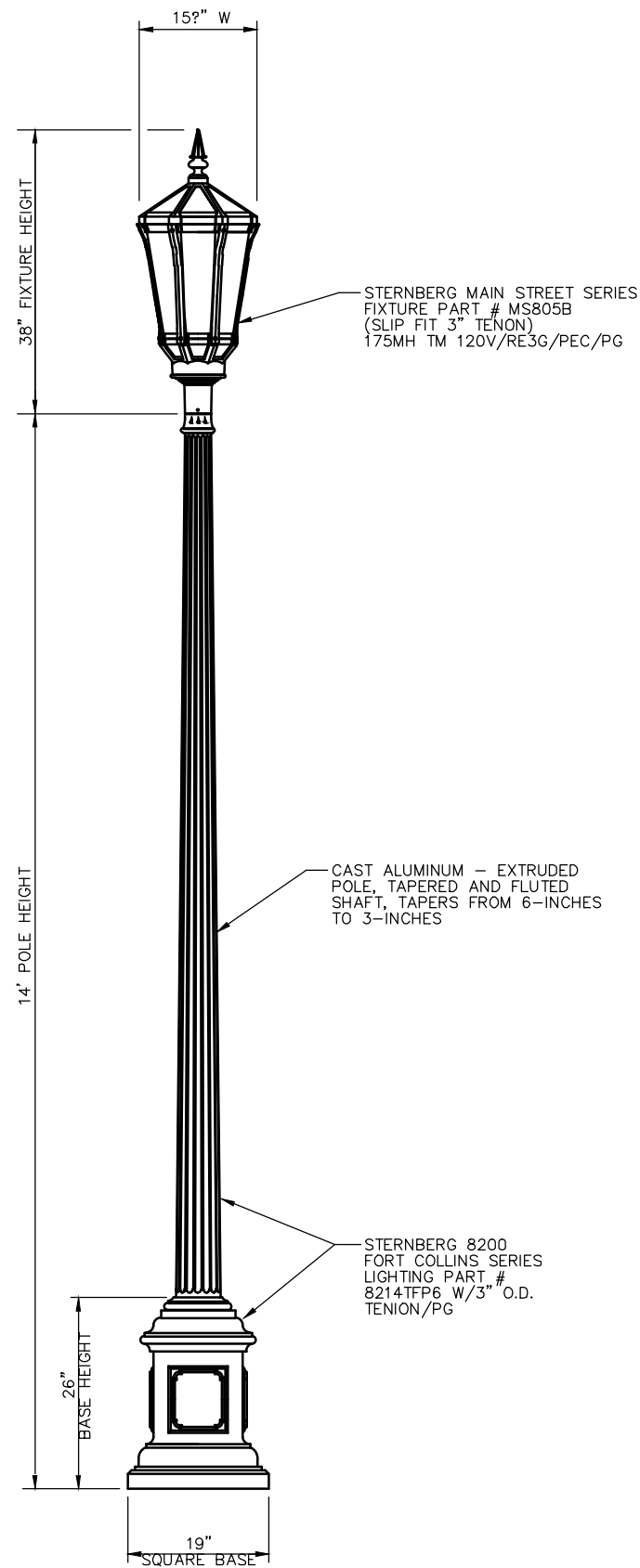
STREET LIGHT DETAILS
FOR ONCOR ELECTRIC
INSTALLED LIGHT FIXTURES



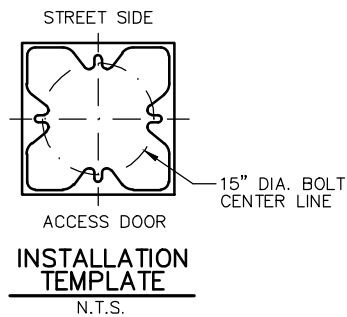
THE CITY OF THE COLONY
TEXAS

ENGINEERING DEPARTMENT

DESIGN	DRAWN	CHECK	REV. DATE	SCALE	FILE	NO.
	M.S.		AUGUST 2023	N.T.S.	SL-1	

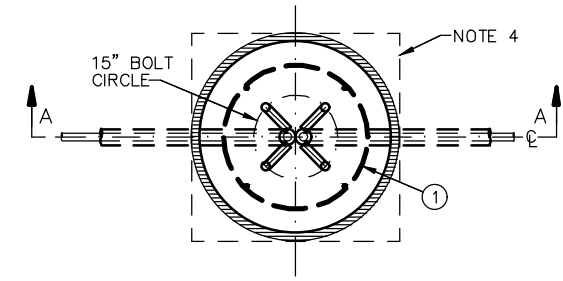


COSERV STANDARD LIGHT FIXTURE
N.T.S.

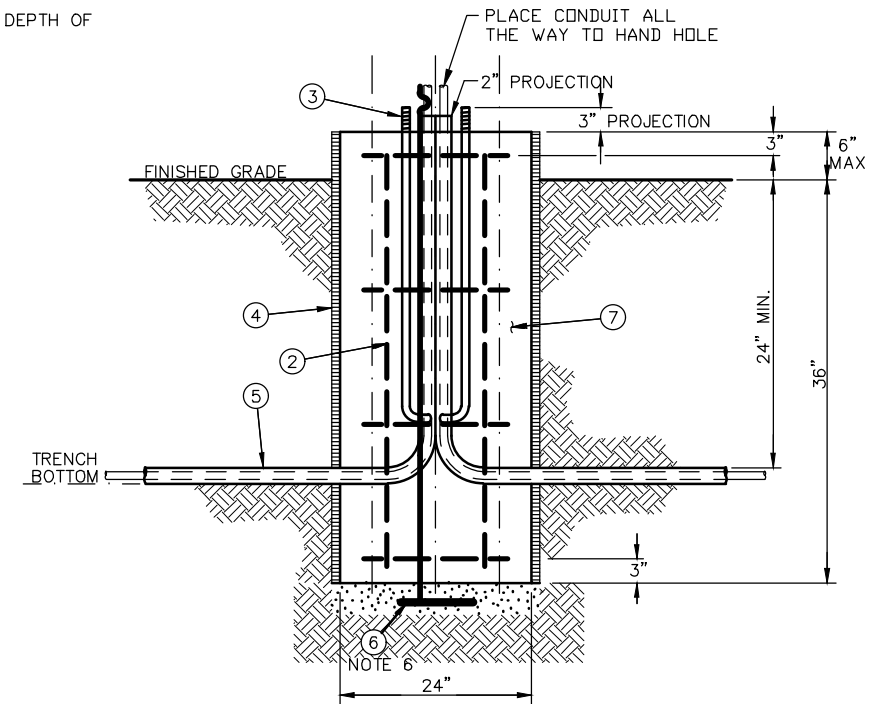


NOTES:

1. CONCRETE TO BE A MINIMUM 3000 PSI AT 28 DAYS. (5 SACK) MAXIMUM AGGREGATE 3/4-INCH. TOP OF FOUNDATION TO BE TROWELED TO A FLAT AND LEVEL SURFACE. AVOID EXCESSIVE TROWELING. CONCRETE TO SET A MINIMUM OF 72 HOURS BEFORE POLE INSTALLATION.
2. REBAR HOOPS ARE TIED BEGINNING 3-INCHES BELOW TOP OF CONCRETE FORM AND ARE REPEATED AT APPROXIMATE ONE FOOT INTERVALS TO BOTTOM OF FOUNDATION.
3. ANCHOR BOLTS TO BE SUPPLIED WITH POLE. USE TEMPLATE FURNISHED BY POLE MANUFACTURER FOR ALIGNING ANCHOR BOLTS.
4. CONCRETE FORM OF SONOTUBE TO EXTEND TO BOTTOM OF TRENCH OR AS NEEDED. FORMS FOR SQUARE BASE (EG. STERNBERG POLE) POLE FOUNDATION SHOULD BE FABRICATED AS NECESSARY.
5. PROVIDE A 24" PIGTAIL FOR CONNECTION OF GROUND WIRE TO POLE.
6. A MINIMUM OF 12 FEET OF BARE #6 SD CU WIRE TO BE PLACED IN BOTTOM OF HOLE AND COVERED WITH 2-INCHES OF DIRT.
7. IF SOIL HAS BEEN DISTUBED. EXTEND FOUNDATION BY DEPTH OF DISTURBED SOIL.



**STREET LIGHT FOUNDATION
12' M.H. & 17' M.H. HISTORICAL/
DECORATIVE POLES
PLAN VIEW**
N.T.S.



SECTION "A-A"
N.T.S.

ITEM	QTY	DESCRIPTION
1	4	#3 REBAR, 18 IN. DIAMETER HOOP, 3 IN. OVERLAP
2	4	#5 REBAR, STRAIGHT, 36 IN. LONG
3	4	ANCHOR BOLT, GALVANIZED 3/4-INCH (SUPPLIED WITH POLE)
4	AS REQD.	CONCRETE FOUNDATION TUBE, 24 IN. DIAMETER
5	AS REQD.	CONDUIT, 2-INCH PVC OR PEC (NOT IN FOUNDATION CU)
6	2 LB	WIRE, #6 COPPER SOLID, GROUND, POLE BUTT WIRE COIL
7	AS REQD.	CONCRETE

CERTIFICATION:
THIS CITY OF THE COLONY STANDARD DETAIL SHEET IS AUTHORIZED FOR USE IN THIS PROJECT BY THE ENGINEER WHOSE SEAL APPEARS ON THIS SHEET. THIS ENGINEER IS ALSO CERTIFYING THAT THE CONTENT OF THE DETAILS AND NOTES ON THIS SHEET HAVE NOT BEEN ALTERED FROM THAT RECEIVED FROM THE CITY OF THE COLONY.

STREET LIGHT STANDARD DETAILS

STREET LIGHT DETAILS
FOR COSERV INSTALLED
LIGHT FIXTURES



THE CITY OF THE COLONY
TEXAS

ENGINEERING DEPARTMENT

DESIGN	DRAWN	CHECK	REV. DATE	SCALE	FILE	NO.
	M.S.		AUGUST 2023	N.T.S.	SL-2	