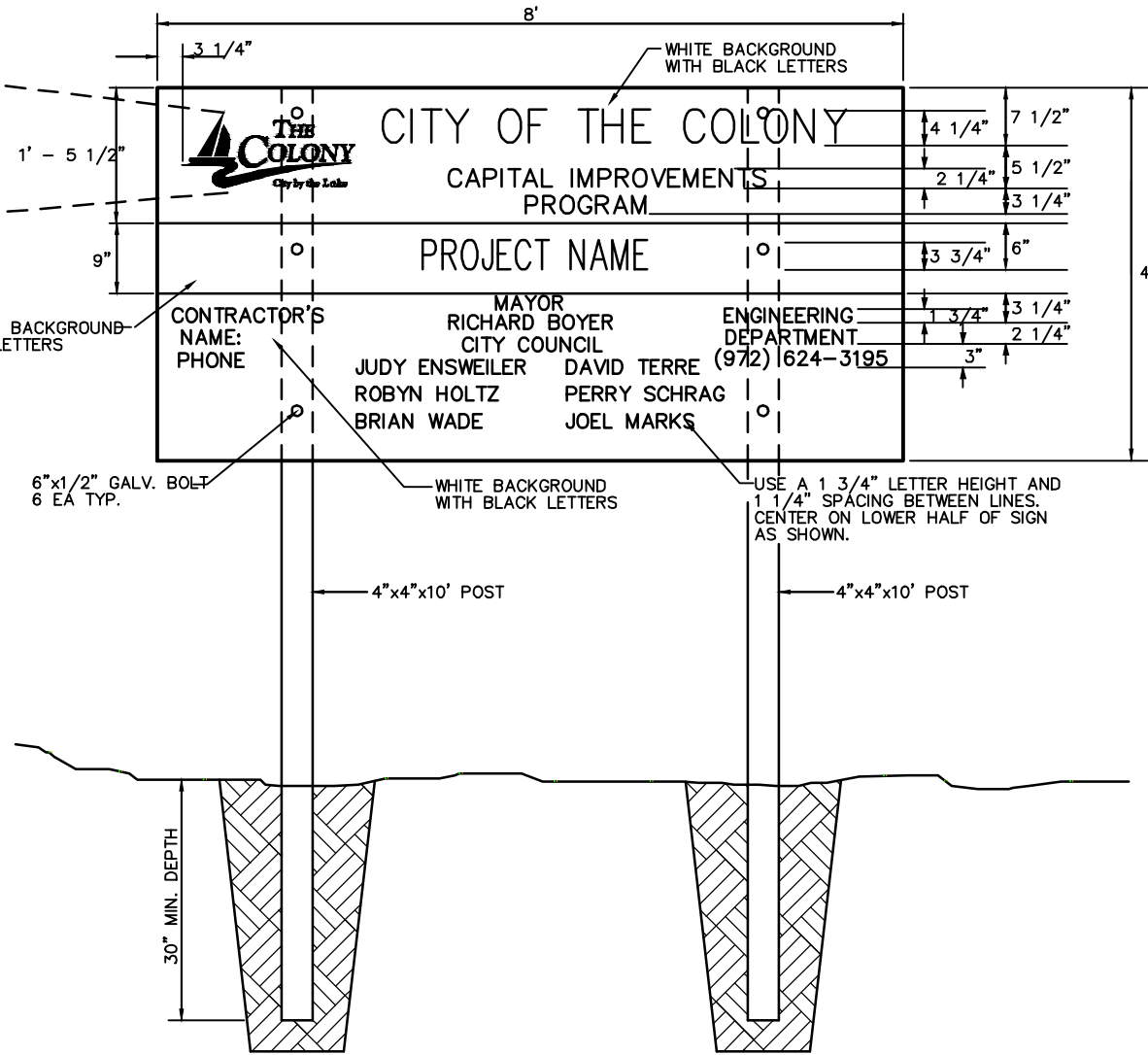


**LOGO ENLARGEMENT**

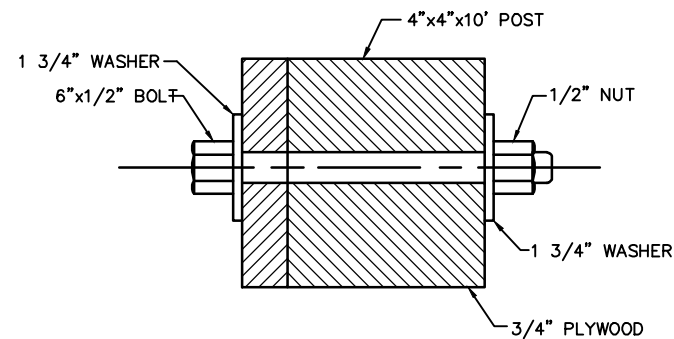
COLORS ARE STANDARD PMS SHADES AS NOTED BELOW:  
 RED # 1955  
 BLUE # 541  
 GREEN # 576

KELLY GREEN BACKGROUND WITH WHITE LETTERS



**GENERAL NOTES:**

1. SIGN BOARD SHALL BE 3/4" EXTERIOR RATED PLYWOOD SANDED ON FACE SIDE.
2. POST SHALL BE 4"x4"x10' PRESSURE TREATED MOUNTED 30" MIN. IN GROUND.
3. 6 EA. BOLTS SHALL BE 6"x1/2" GALV. BOLTS.
4. CONTRACTOR MUST CHECK THE CURRENT MAYOR AND CITY COUNCIL MEMBERS NAME AT THE TIME OF ORDERING AND INSTALLING THE SIGN. SEND SAMPLE IN FOR REVIEW AND APPROVAL.



**POST X-SECTION**  
NOT TO SCALE

**STANDARD CAPITAL IMPROVEMENT PROJECT SIGN DETAIL**

**CERTIFICATION:**  
 THIS CITY OF THE COLONY STANDARD DETAIL SHEET IS AUTHORIZED FOR USE IN THIS PROJECT BY THE ENGINEER WHOSE SEAL APPEARS ON THIS SHEET. THIS ENGINEER IS ALSO CERTIFYING THAT THE CONTENT OF THE DETAILS AND NOTES ON THIS SHEET HAVE NOT BEEN ALTERED FROM THAT RECEIVED FROM THE CITY OF THE COLONY.

PAVEMENT STANDARD DETAILS

MISCELLANEOUS



THE CITY OF THE COLONY  
TEXAS

ENGINEERING DEPARTMENT

DESIGN	DRAWN	CHECK	REV. DATE	SCALE	FILE	NO.
	M.S.		AUGUST 2023	N.T.S.	P-13	